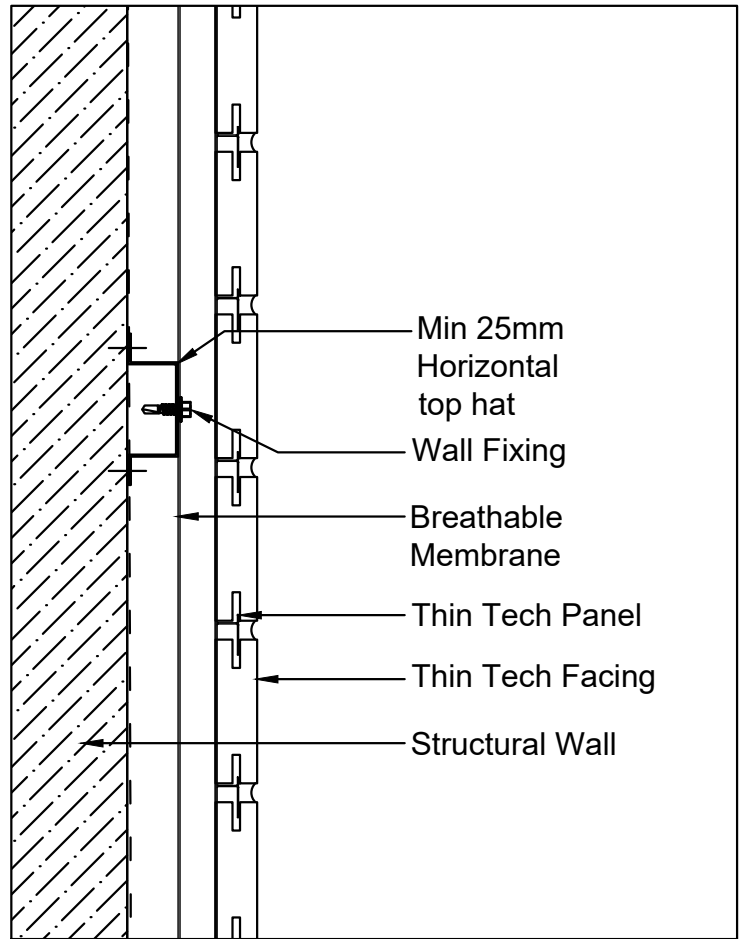
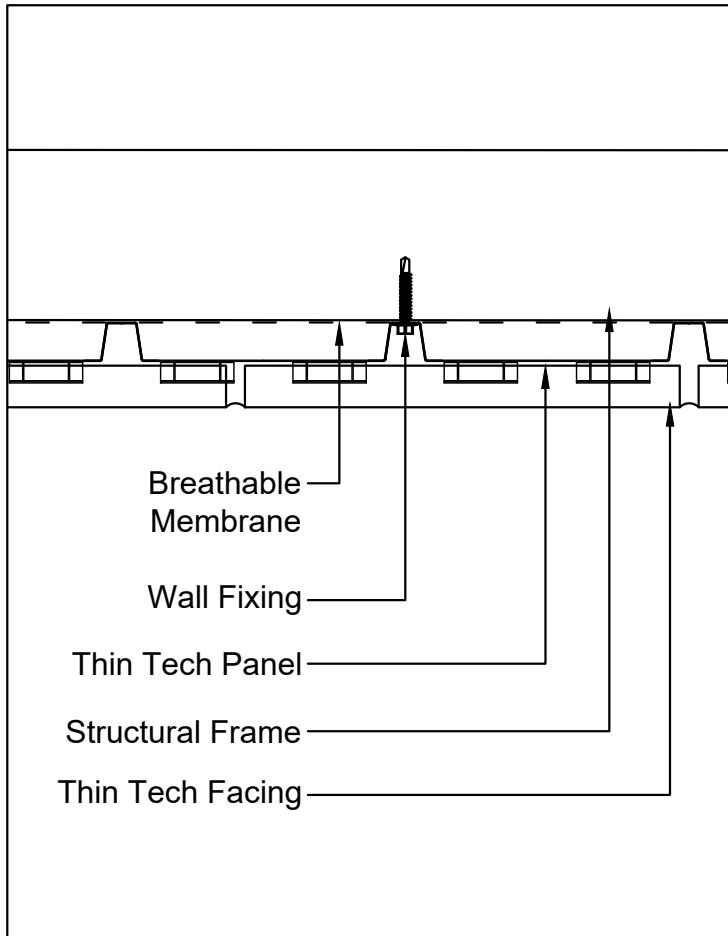


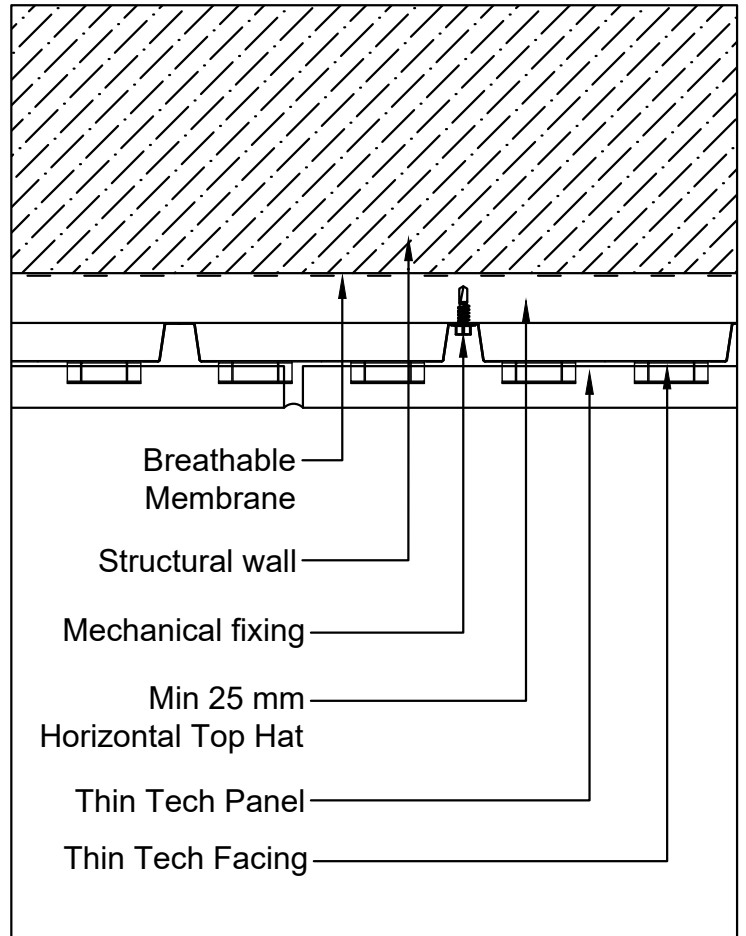
TYPICAL WALL SECTION



TYPICAL WALL SECTION WITH TOP HATS



TYPICAL WALL PLAN



TYPICAL WALL PLAN WITH TOP HATS



COMPANY
BRICKWORKS BUILDING PRODUCTS

SCALE: 1:4

SIZE A4 REV. 1 DATE 11/11/2022

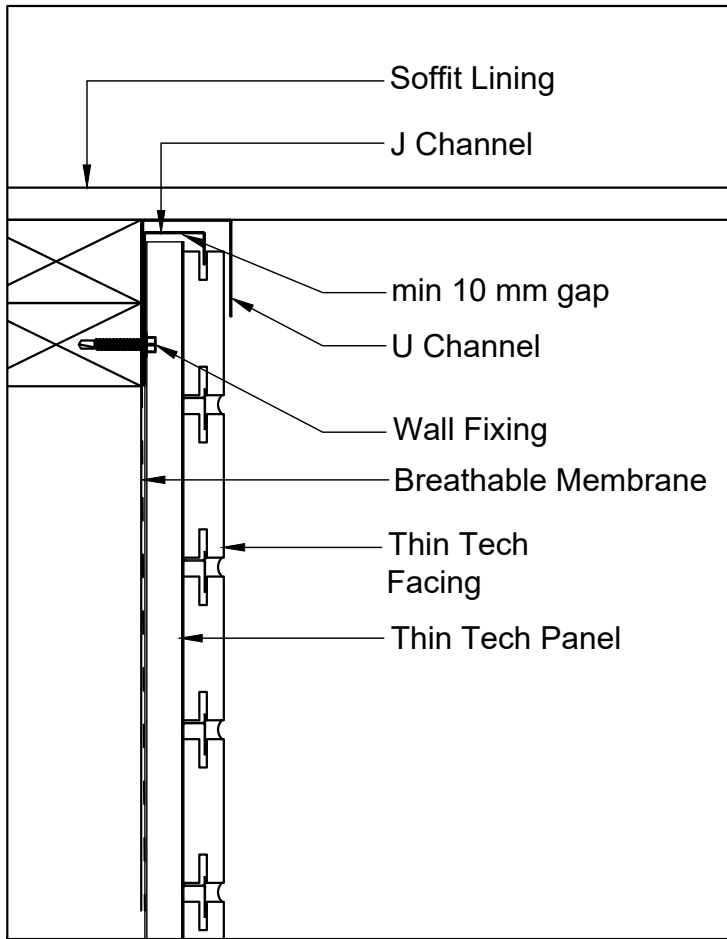
DRAWN BY SW
CHECKED BY
CHECKED BY

Revise & resubmit
 For information only
 Approved

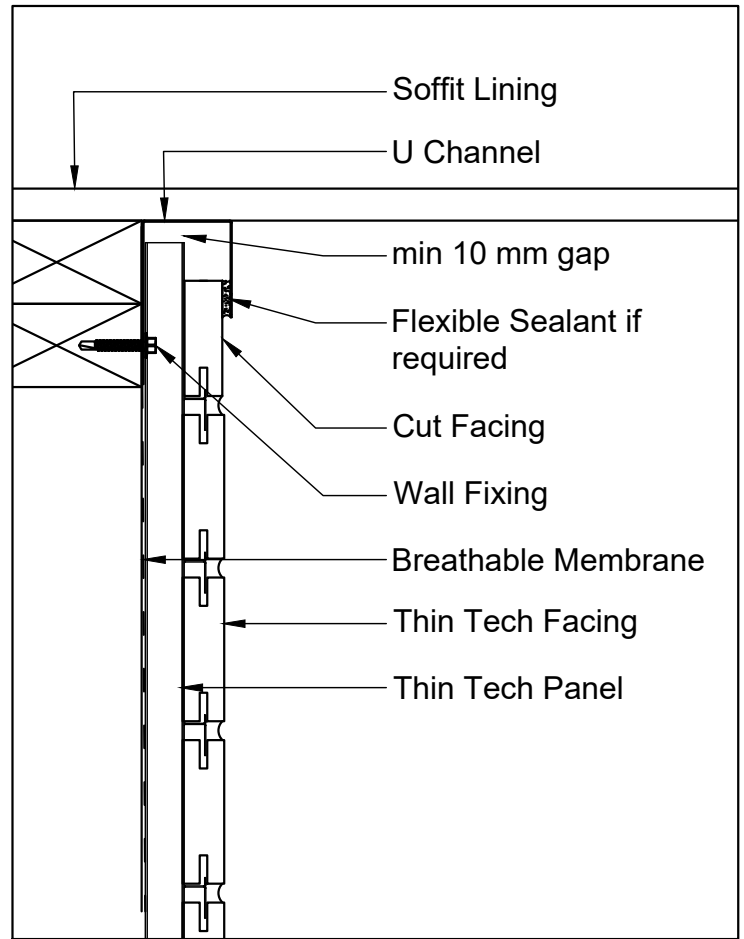
PRODUCT
THIN TECH PANEL

DRAWING DESCRIPTION
TYPICAL DETAILS

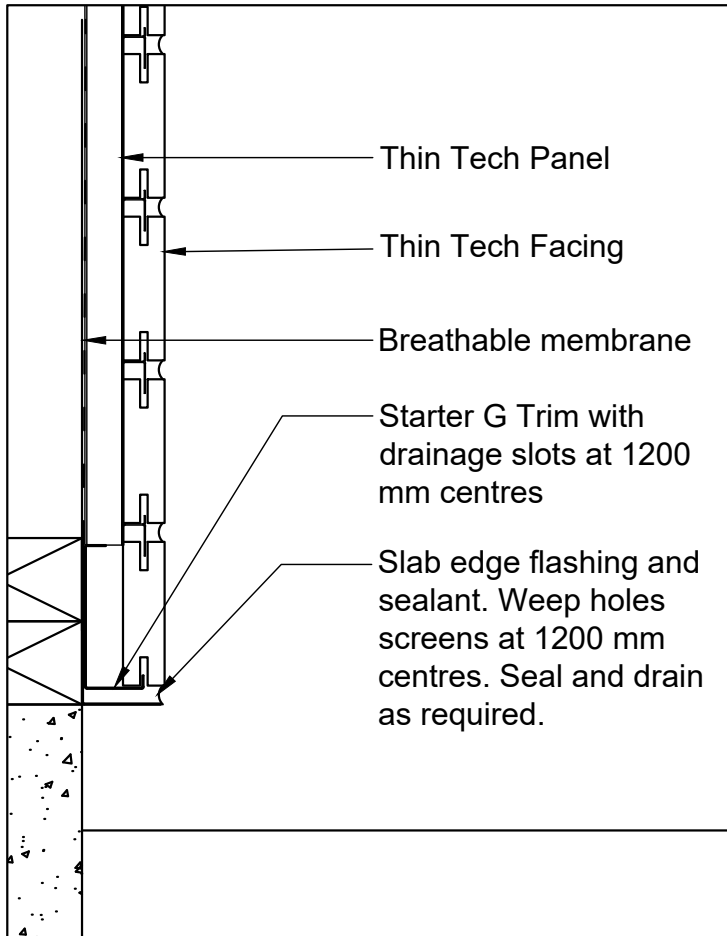
DWG. NO.
TTSD01



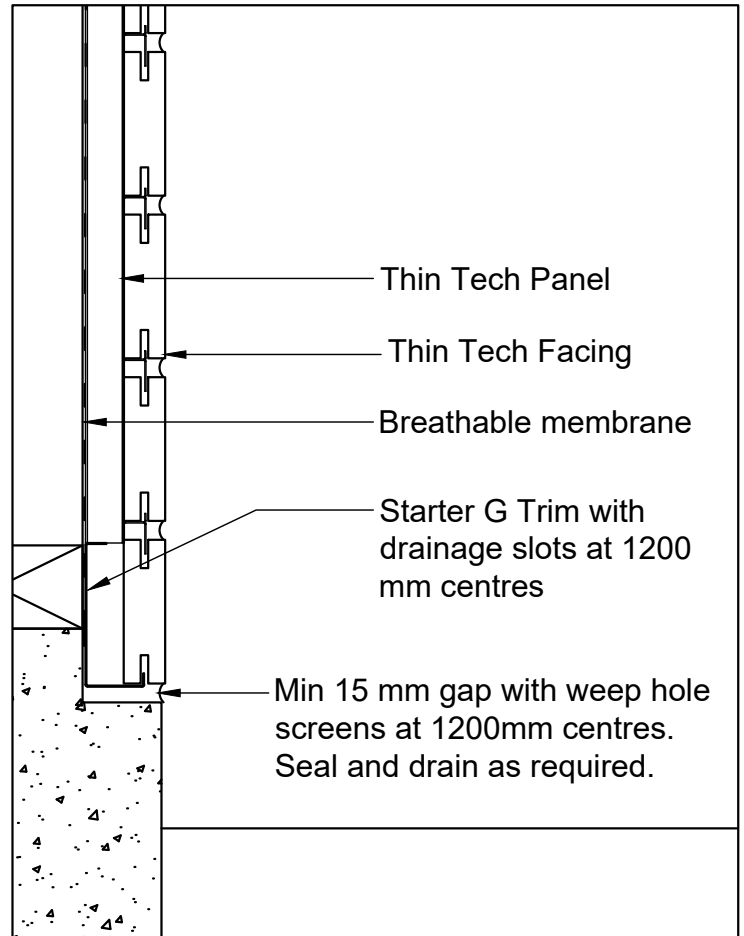
SOFFIT DETAIL



SOFFIT DETAIL WITH CUT FACING



BASE DETAIL



BASE DETAIL WITH SLAB REBATE



COMPANY
BRICKWORKS BUILDING PRODUCTS

SCALE: 1:4

SIZE A4 REV. 1 DATE 11/11/2022

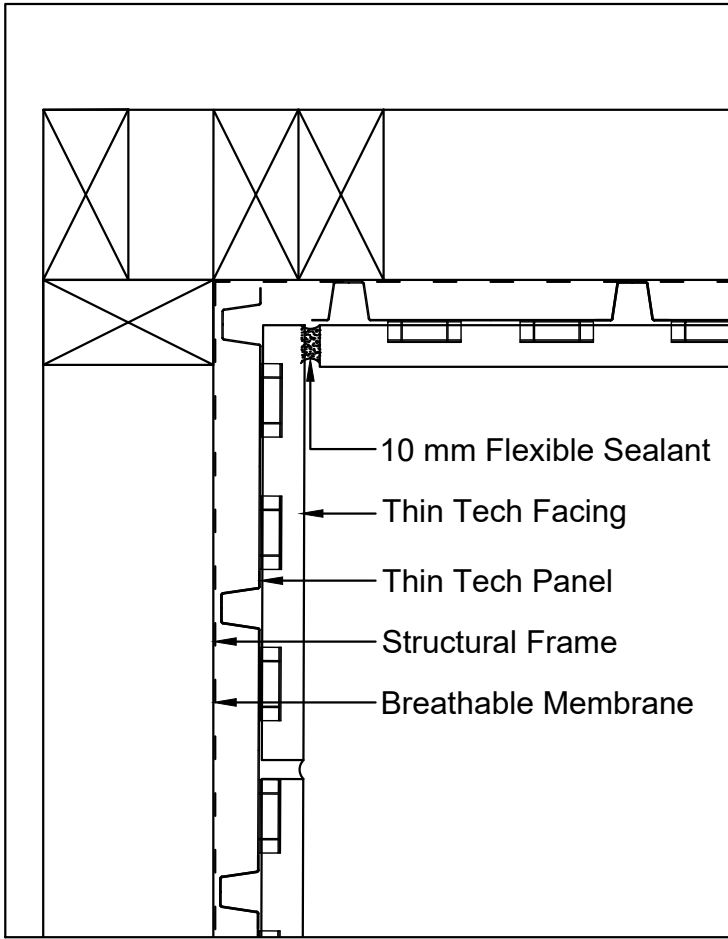
DRAWN BY SW
CHECKED BY
CHECKED BY

Revise & resubmit
 For information only
 Approved

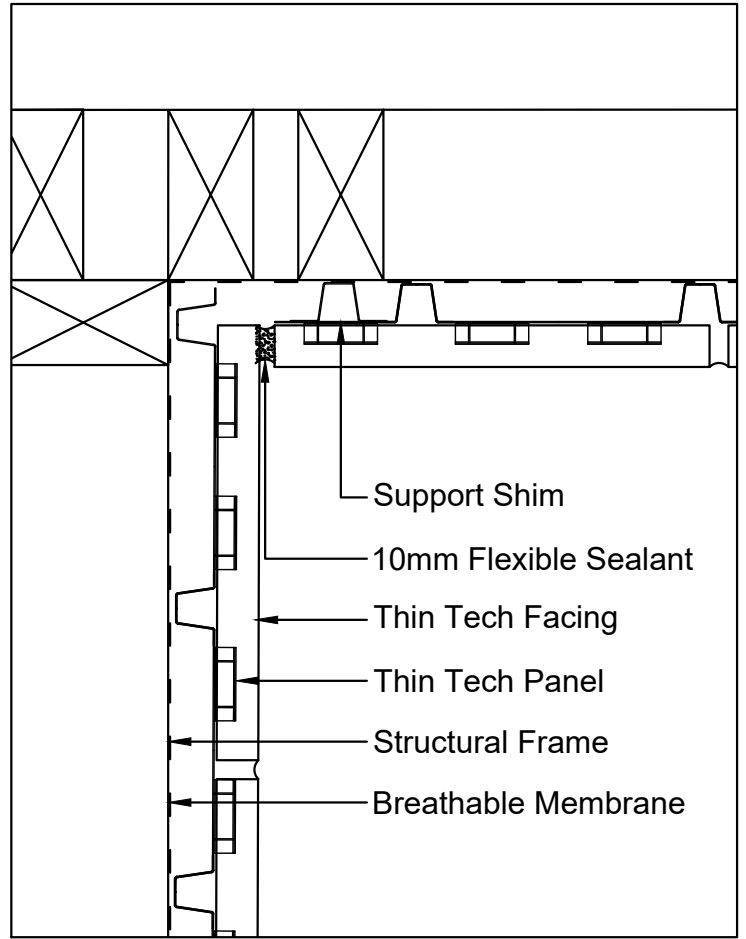
PRODUCT
THIN TECH PANEL

DRAWING DESCRIPTION
TOP AND BASE

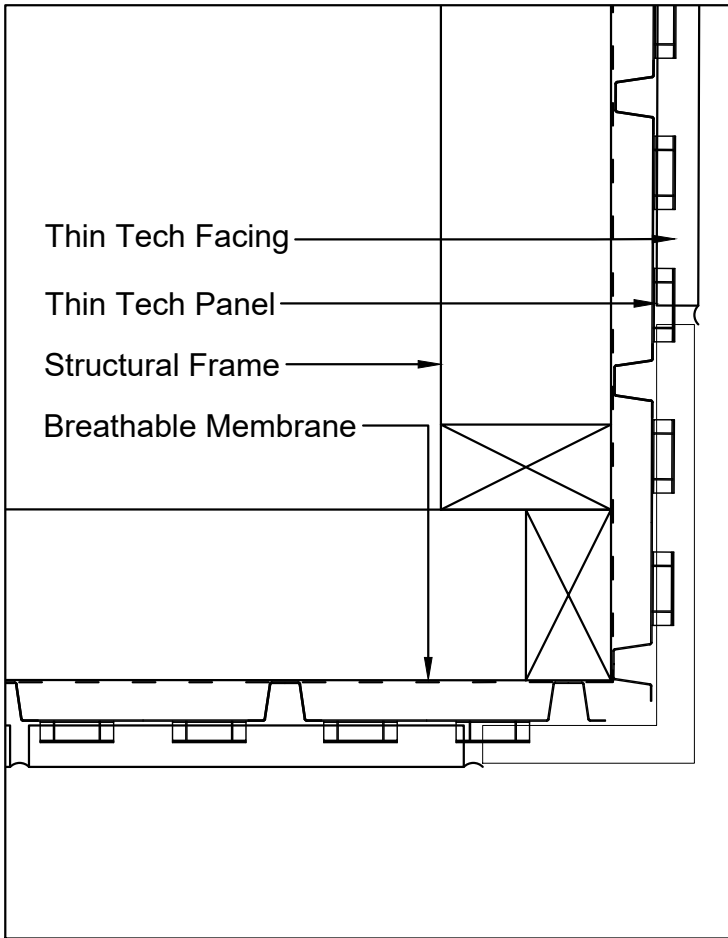
DWG. NO.
TTSD02



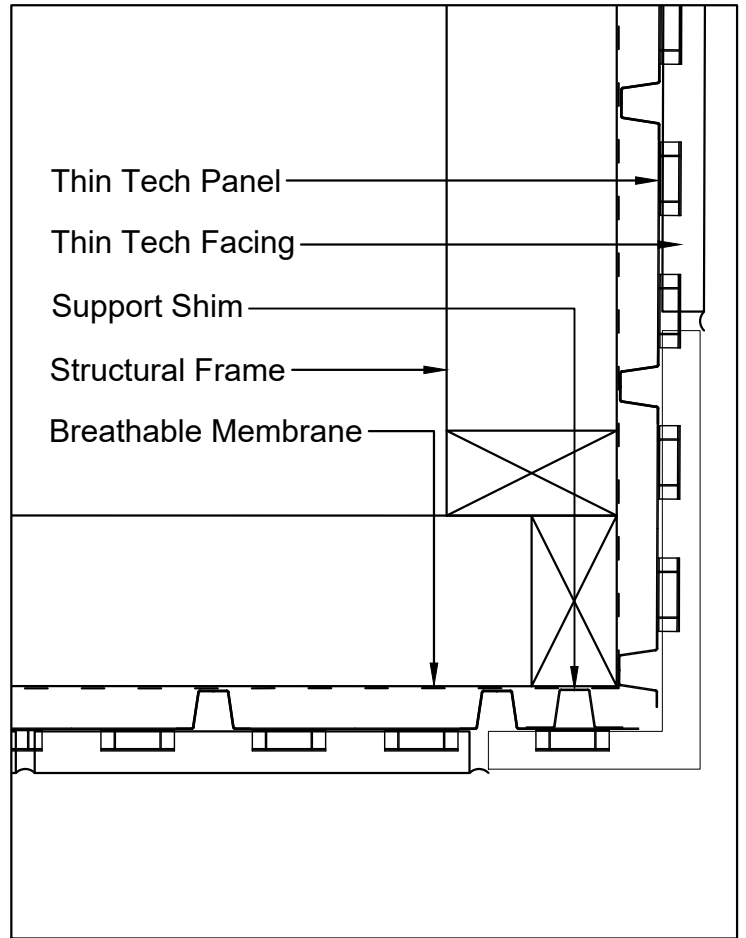
INTERNAL CORNER DETAIL



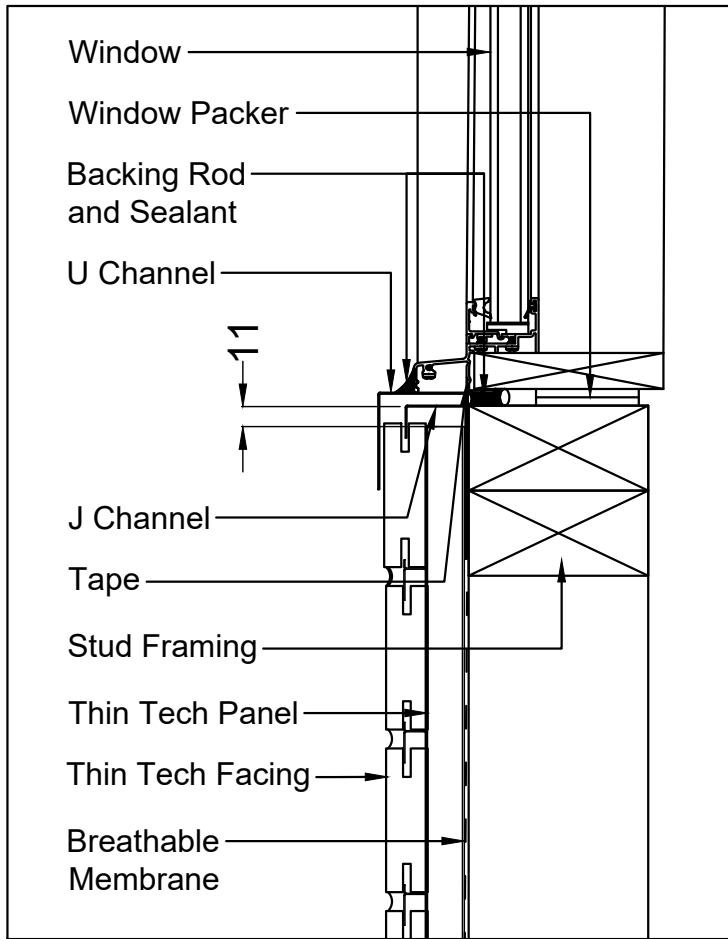
INTERNAL CORNER DETAIL WITH SUPPORT SHIM



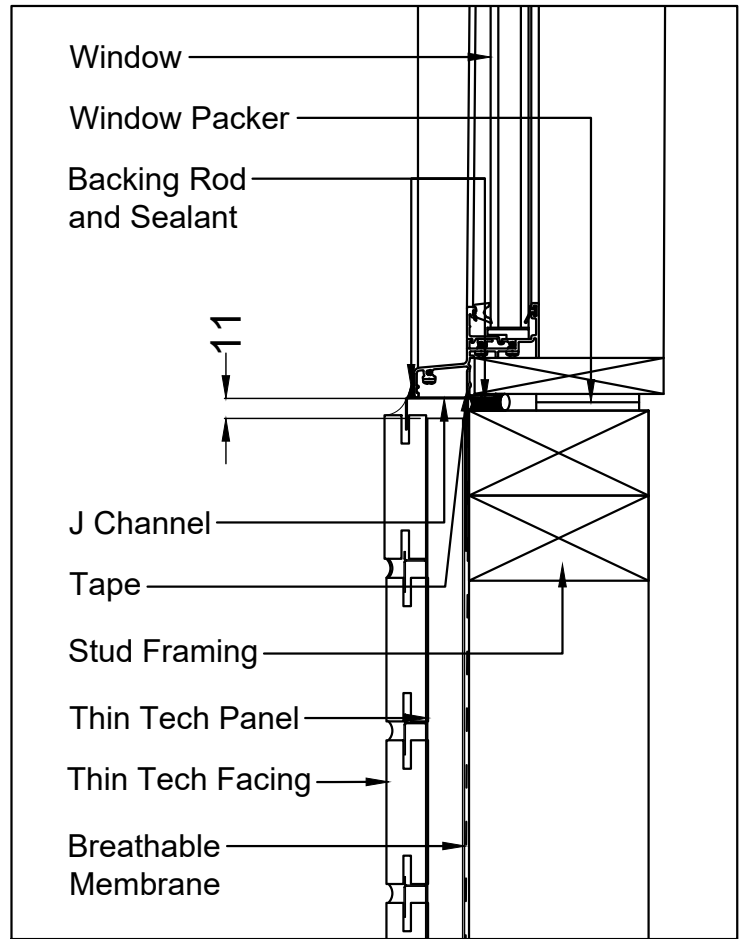
EXTERNAL CORNER DETAIL



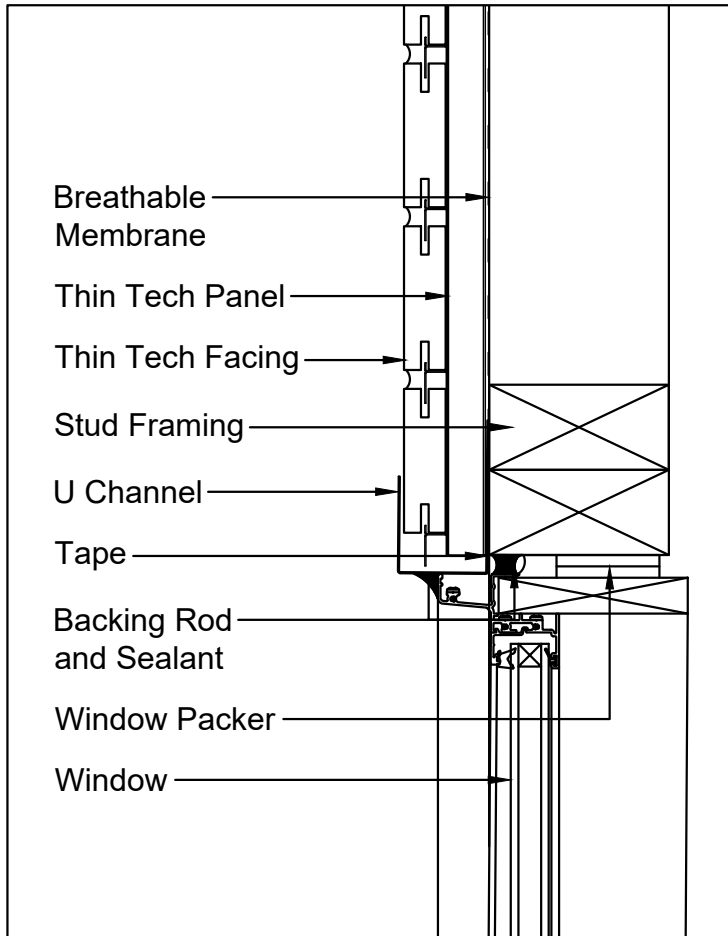
EXTERNAL CORNER DETAIL WITH SUPPORT SHIM



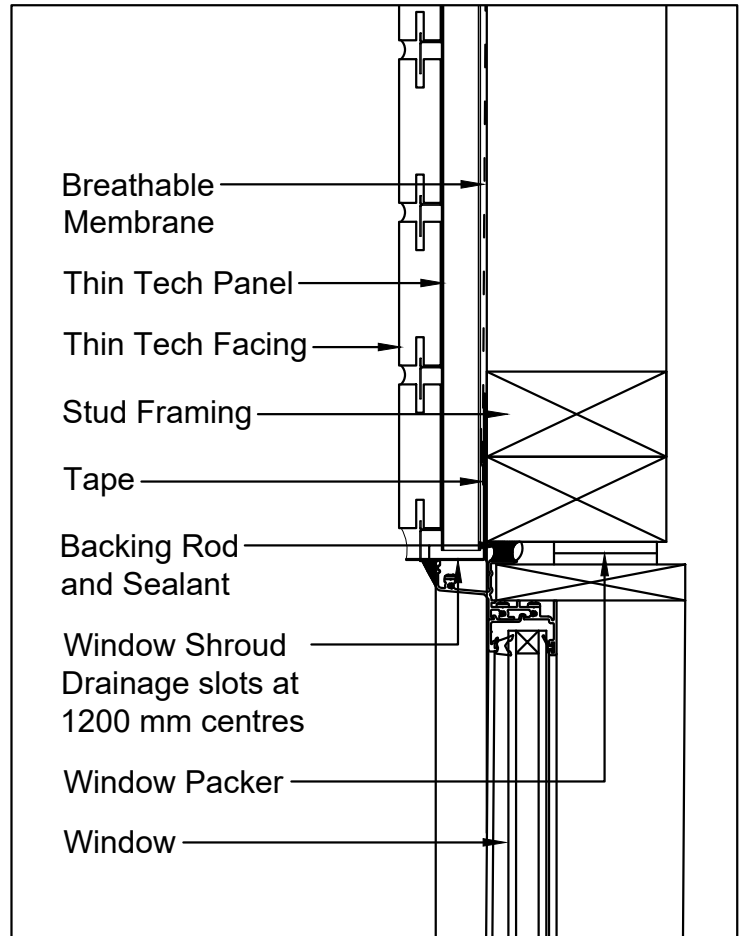
WINDOW SILL METAL SURROUND



WINDOW SILL FLUSH



WINDOW HEAD METAL SURROUND



WINDOW HEAD FLUSH



COMPANY
BRICKWORKS BUILDING PRODUCTS

SCALE: 1:4

SIZE A4 REV. 1 DATE 11/11/2022

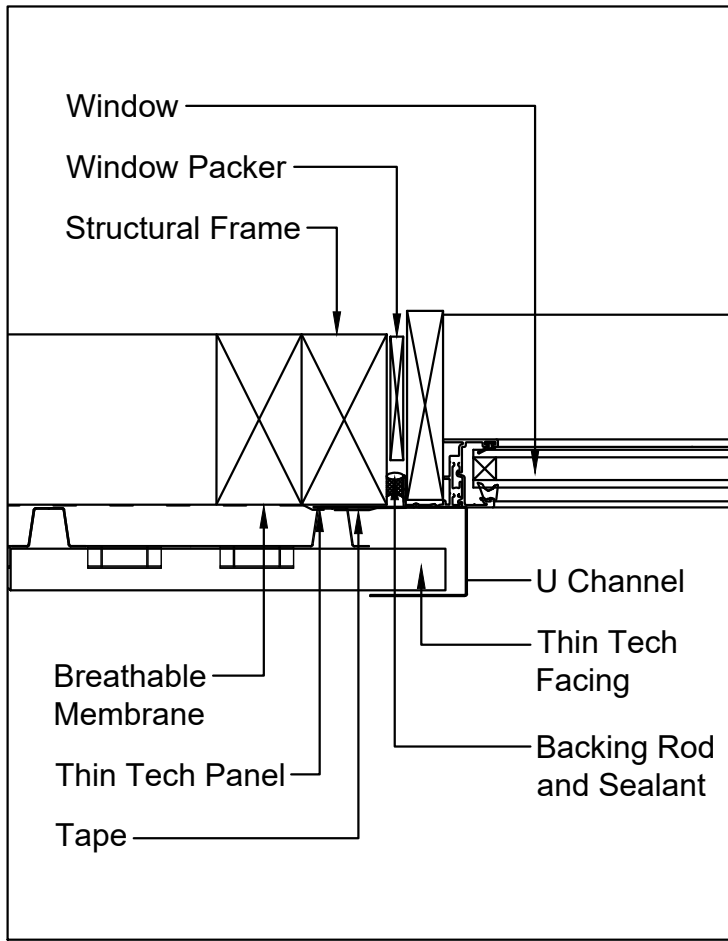
DRAWN BY SW
CHECKED BY
CHECKED BY

Revise & resubmit
 For information only
 Approved

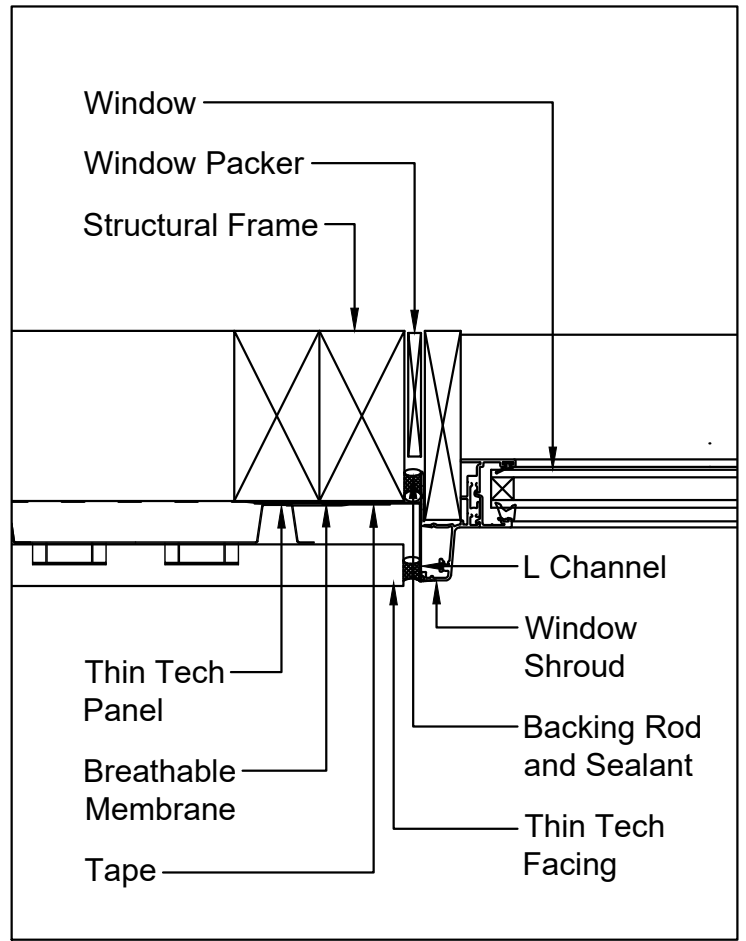
PRODUCT
THIN TECH PANEL

DRAWING DESCRIPTION
WINDOW DETAILS

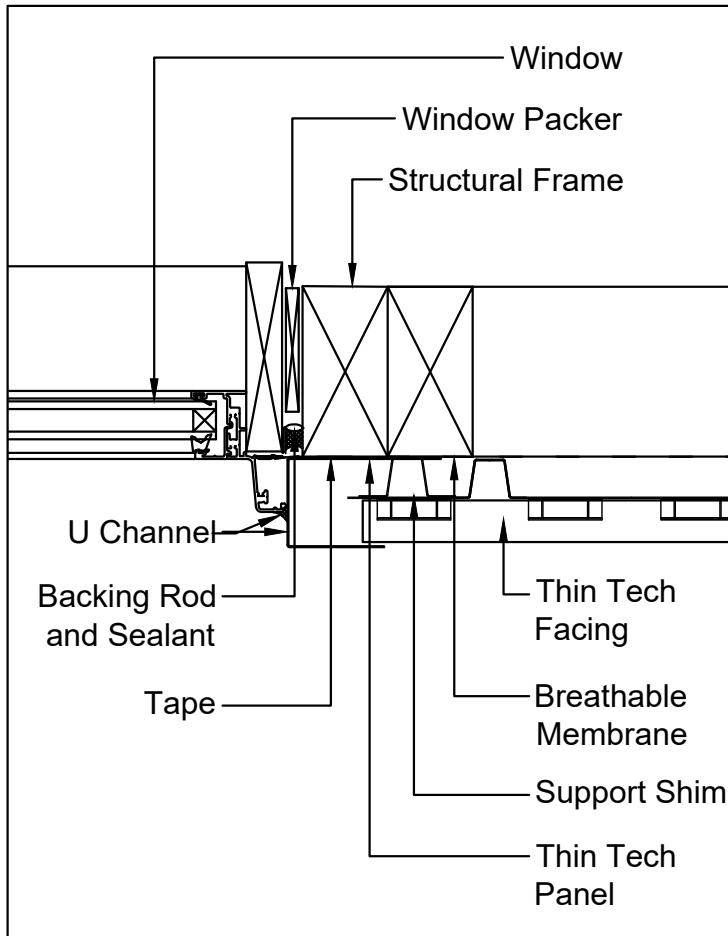
DWG. NO.
TTSD04



WINDOW JAMB METAL SURROUND



WINDOW JAMB FLUSH



WINDOW JAMB METAL SURROUND WITH SUPPORT SHIM



COMPANY
BRICKWORKS BUILDING PRODUCTS

SCALE: 1:4

SIZE A4 REV. 1 DATE 11/11/2022

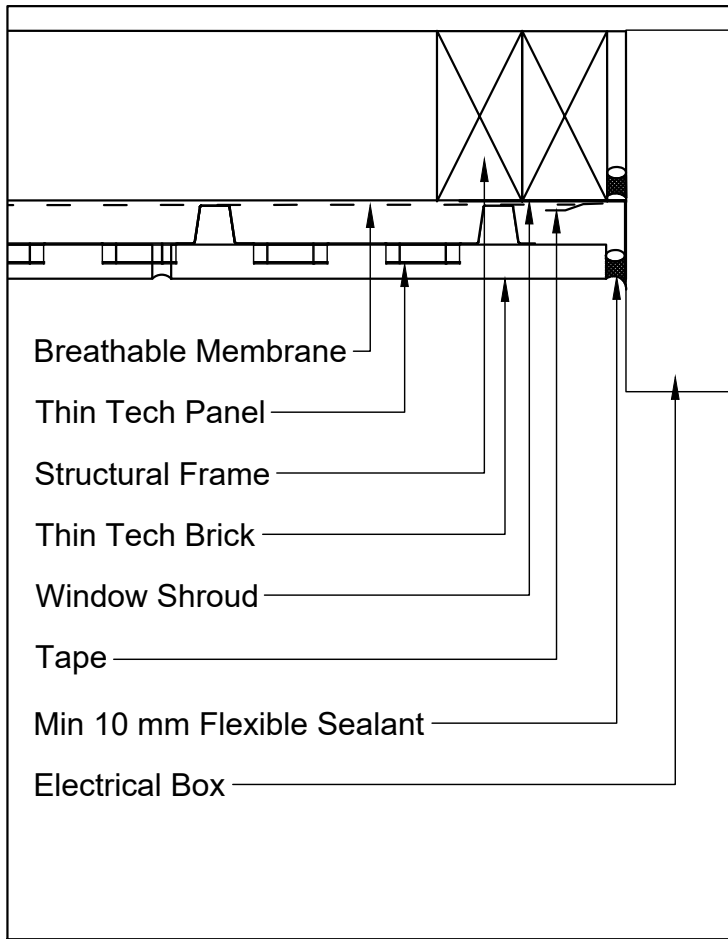
DRAWN BY SW
CHECKED BY
CHECKED BY

Revise & resubmit
 For information only
 Approved

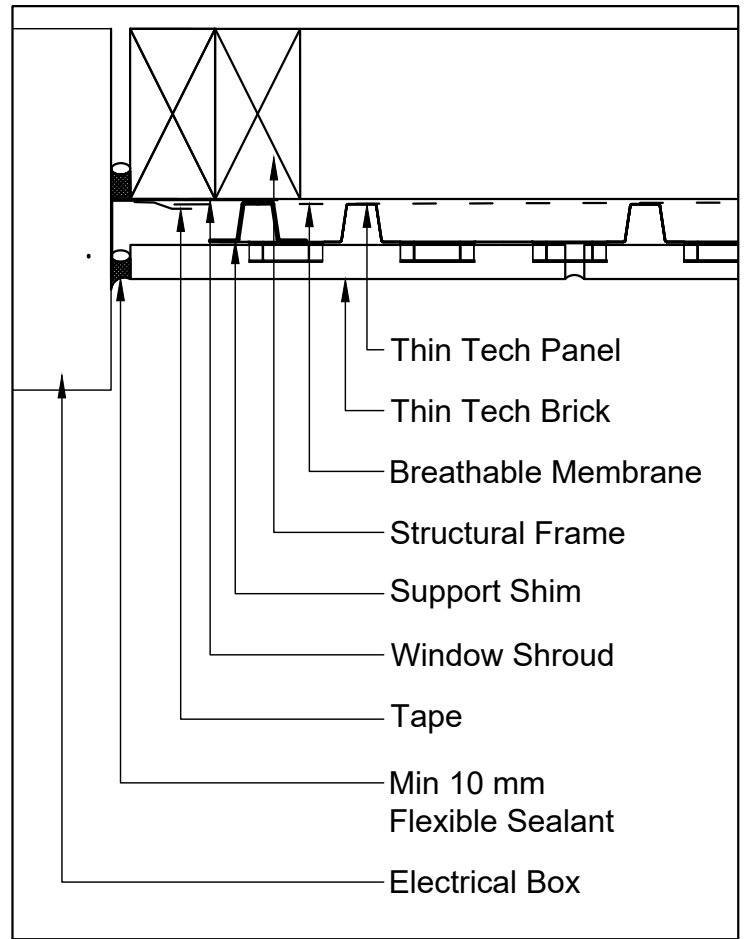
PRODUCT
THIN TECH PANEL

DRAWING DESCRIPTION
WINDOW DETAILS

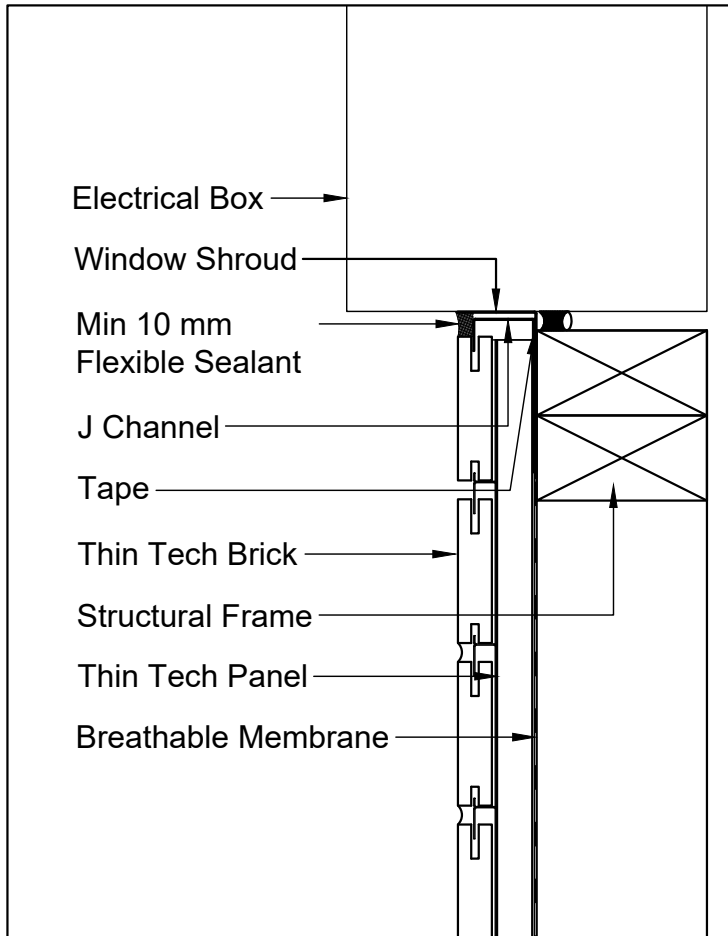
DWG. NO.
TTSD04



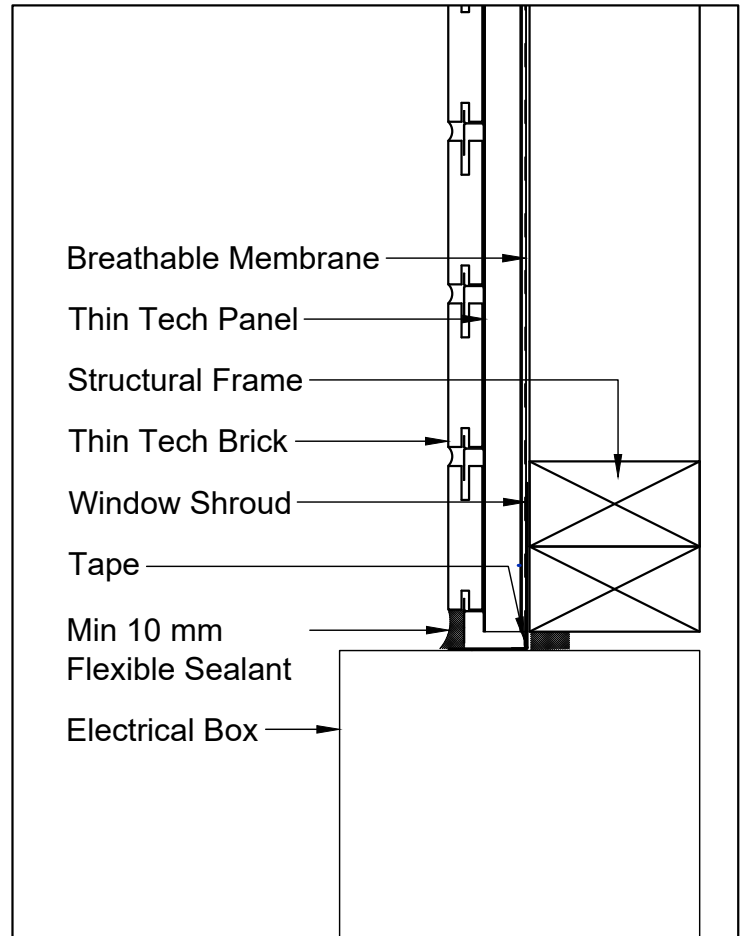
METER BOX SIDE



METER BOX SIDE WITH SUPPORT SHIM



METER BOX BOTTOM



METER BOX TOP



COMPANY
BRICKWORKS BUILDING PRODUCTS

SCALE: 1:4

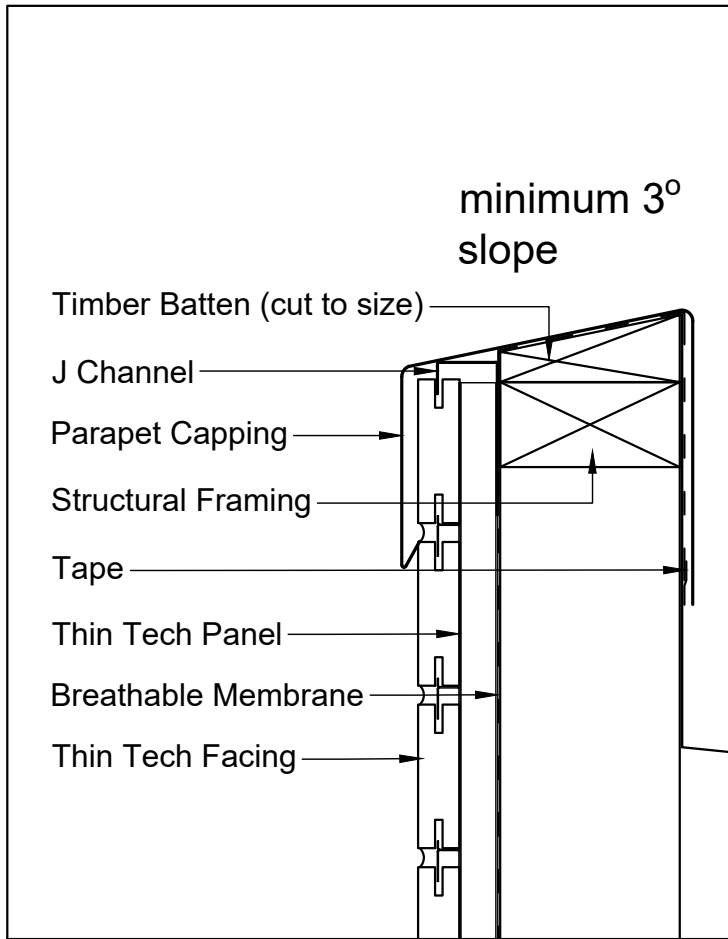
SIZE A4 REV. 1 DATE 11/11/2022

DRAWN BY SW
 Revise & resubmit
 CHECKED BY
 For information only
 CHECKED BY
 Approved

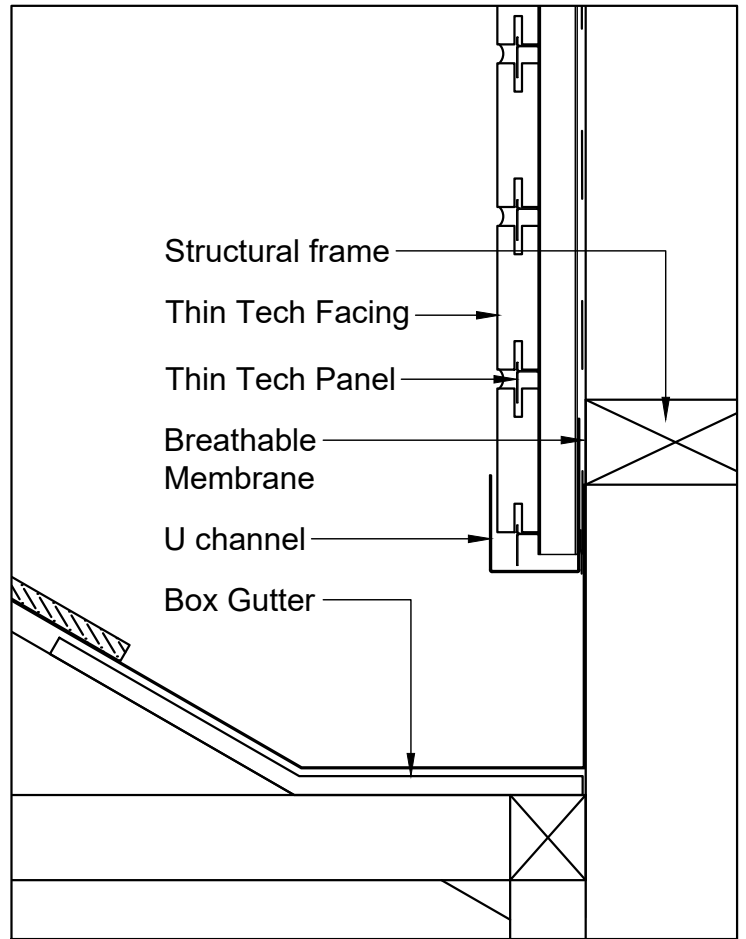
PRODUCT
THIN TECH PANEL

DRAWING DESCRIPTION
METER BOX DETAILS

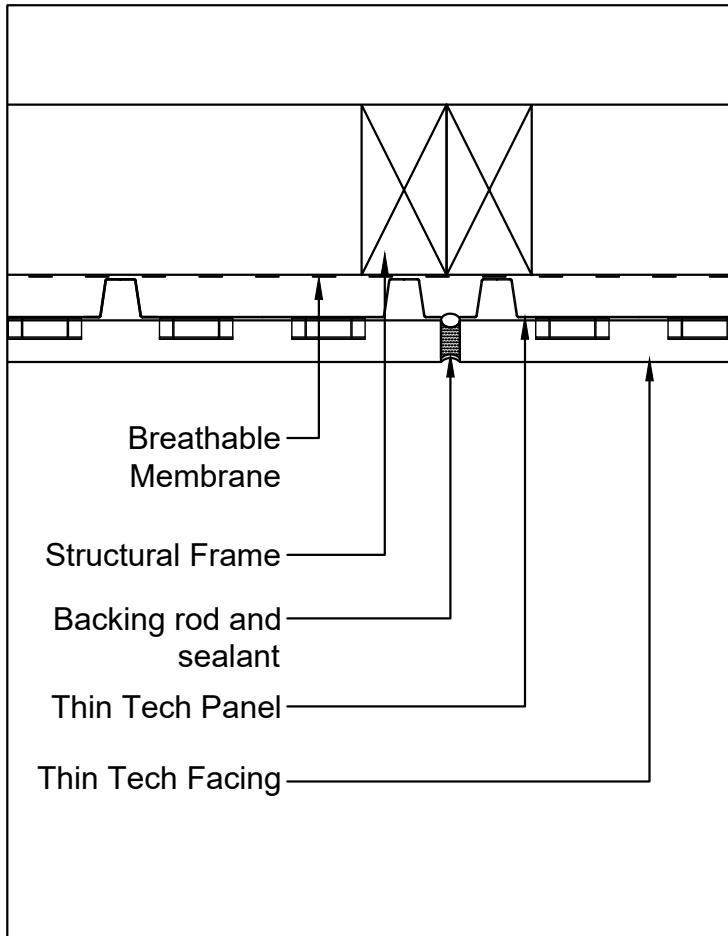
DWG. NO.
TTSD05



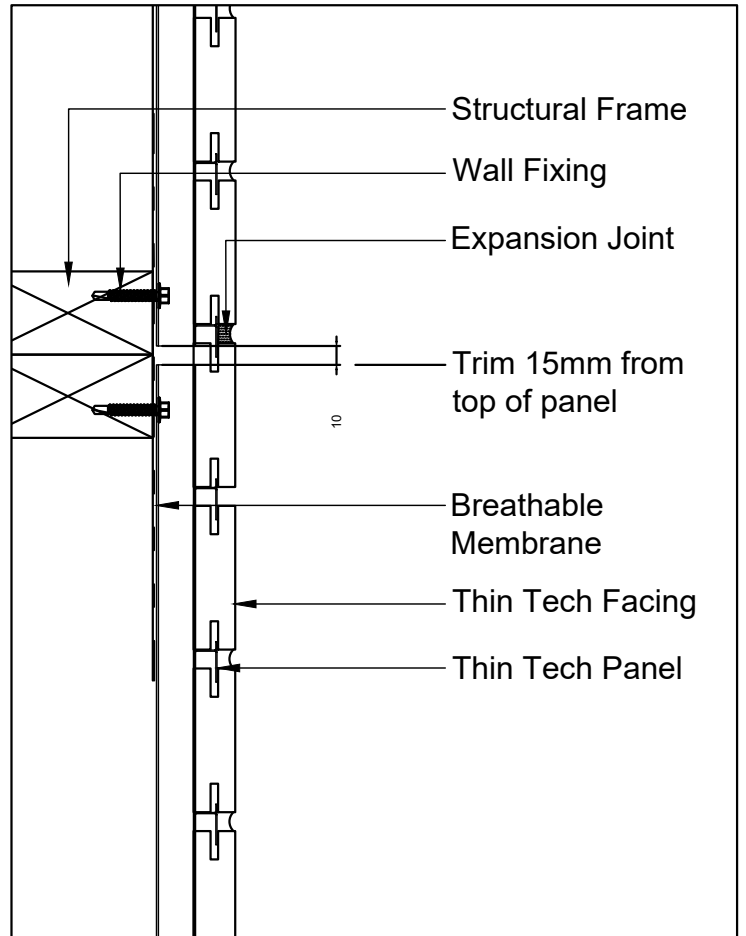
PARAPET CAPPING



PARAPET - BOX GUTTER BOUNDARY DETAIL



VERTICAL EXPANSION JOINT



HORIZONTAL EXPANSION JOINT

BRICKWORKS
— BUILDING PRODUCTS —

COMPANY
BRICKWORKS BUILDING PRODUCTS

SCALE: 1:4

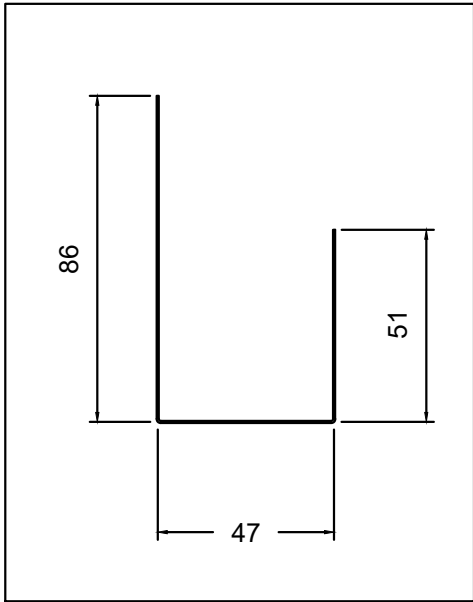
SIZE A4
REV. 1
DATE 11/11/2022

DRAWN BY SW Revise & resubmit
CHECKED BY For information only
CHECKED BY Approved

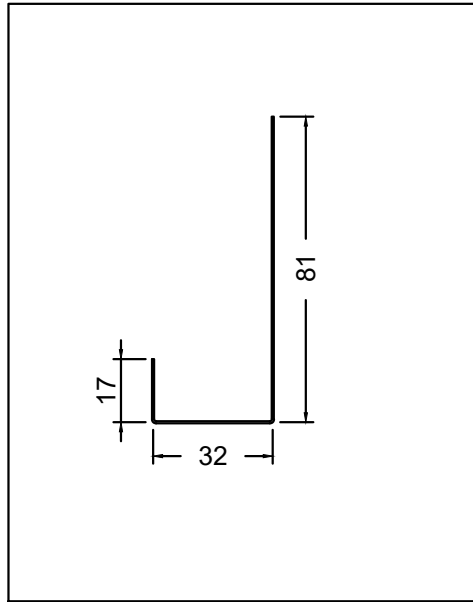
PRODUCT
THIN TECH PANEL

DRAWING DESCRIPTION
METER BOX DETAILS

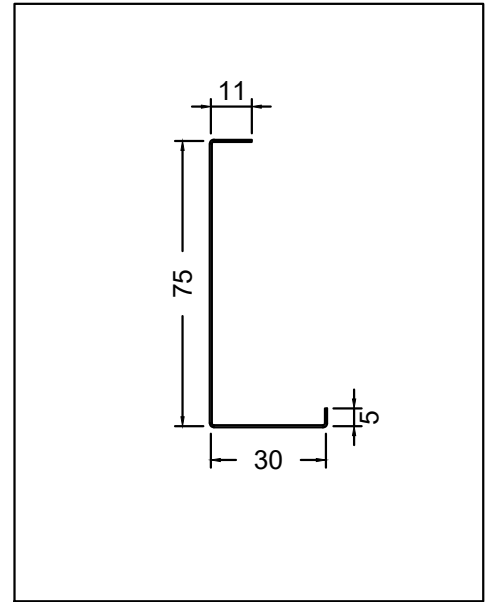
DWG. NO.
TTSD05



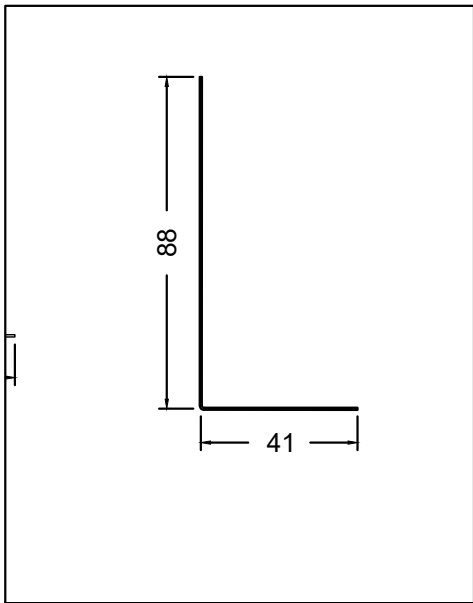
THIN TECH U CHANNEL



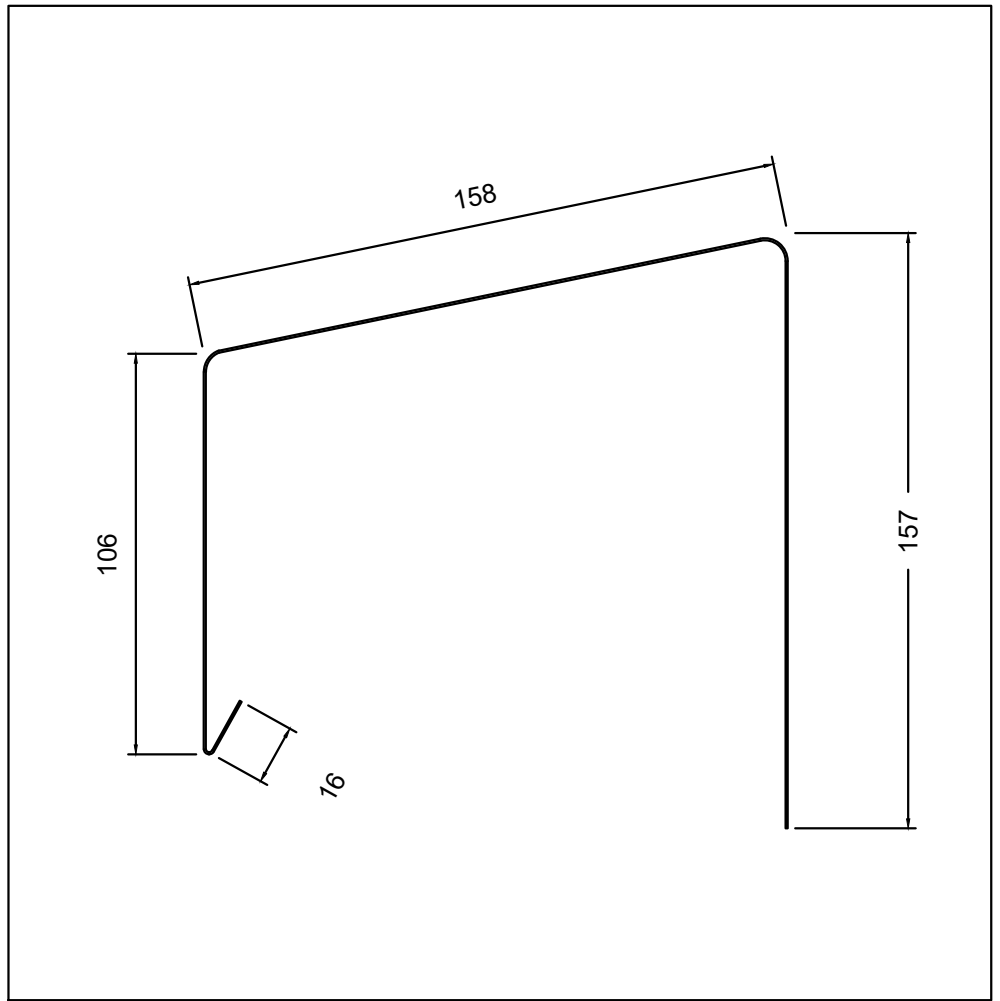
THIN TECH J CHANNEL



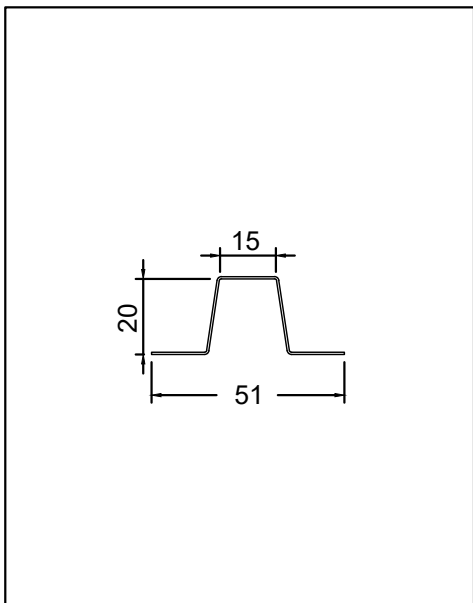
THIN TECH G CHANNEL



WINDOW SHROUD



THIN TECH PARAPET CHANNEL



SUPPORT SHIM



COMPANY BRICKWORKS BUILDING PRODUCTS			PRODUCT THIN TECH PANEL		
SCALE: 1:2		DRAWN BY SW		DRAWING DESCRIPTION TRIMS	
SIZE A4	REV. 1	DATE 11/11/2022	CHECKED BY	<input type="checkbox"/> Revise & resubmit	DWG. NO. TTSD06
			CHECKED BY	<input checked="" type="checkbox"/> For information only	
				<input type="checkbox"/> Approved	