

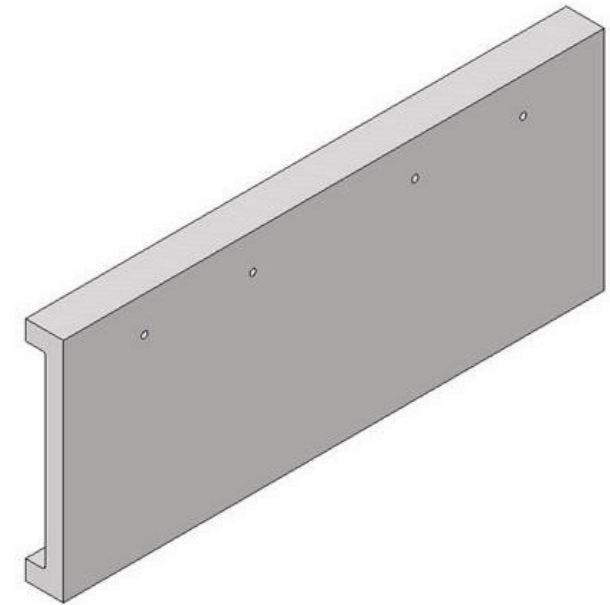
Product Details

range name	SK1N
colours	TESINO POTENZA ALENTO LIVENZA SAVIO CHIANTI PIAVE
product code description	U PROFILE - SK1N TERRACOTTA CLADDING

Properties and Specifications

dimensions (length x height x thickness mm)	500 X 20 X 35 mm
average weight (kg)	3.8
weight/m ² inc SK1N top hats	48.3
weight/m ² inc 38x38 mm F5 timber battens	50.2
durability class * to AS/NZS 4455.1	Exposure Grade
number per sqm	11.8
cold water absorption (%)	< 12
modulus of rupture (MPa)	< 7
recommended overlap	40 mm
horizontal batten distance	170 mm

Diagram



Product Details

range name	SK1N
colours	TESINO POTENZA ALENTO LIVENZA SAVIO CHIANTI PIAVE
product code description	L PROFILE - SK1N TERRACOTTA CLADDING

Properties and Specifications

dimensions (length x height x thickness mm)	500 X 20 X 35 mm
average weight (kg)	3.2
weight/m ² inc SK1N top hats	41.2
weight/m ² inc 38x38 mm F5 timber battens	43.1
durability class * to AS/NZS 4455.1	Exposure Grade
number per sqm	11.8
cold water absorption (%)	< 12
modulus of rupture (MPa)	< 7
recommended overlap	40 mm
horizontal batten distance	170 mm

Diagram

