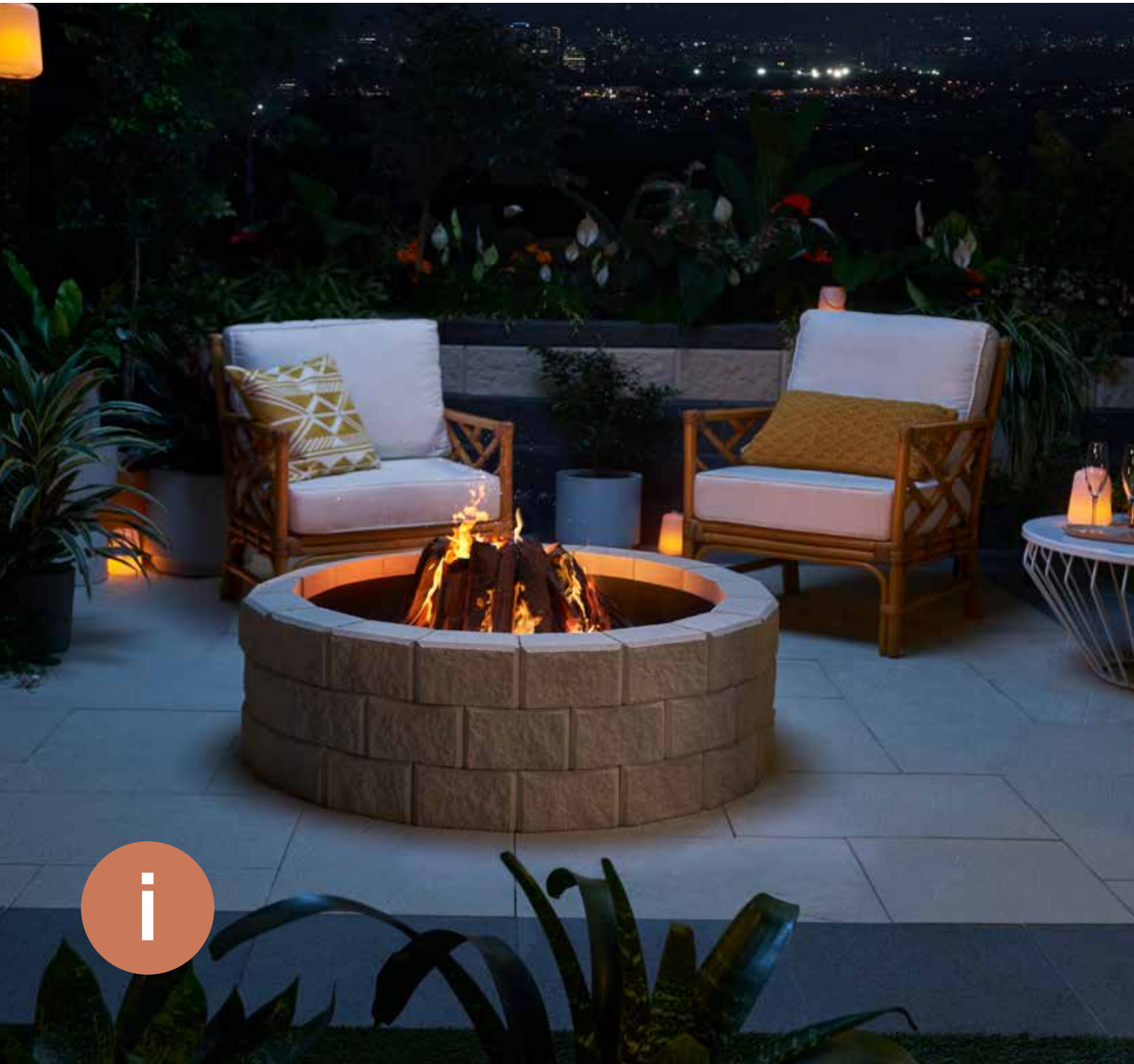


Fire Pits with Bribie Edging

2022 Installation Guide



Installation tips

The step-by-step guide to building fire pits with Bribie edging.

Designing with Bribie

1

Foundation - Paver Surface or Concrete Slab

If you are building the fire pit on an existing paver surface or concrete slab, drill through the pavement to provide a 50mm diameter drain hole at the lowest point. This will allow the rainwater to infiltrate into the ground. Fill the drain hole with clean stone. Go to step 2.

Foundation - Compacted Gravel Base

Mark out the area of the fire pit and excavate to accommodate 150mm of well compacted, dense-graded aggregate base, a 25mm layer of sand bedding bed, and about 50 or 75mm of fire pit wall that will be buried below ground. The aggregate base should extend at least 150mm on all the sides of the fire pit walls.

It is recommended that a geotextile be laid on the top of the soil surface and up the sides of the excavated area.

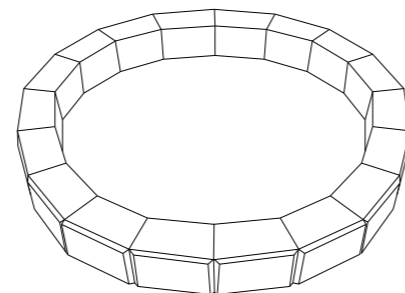
Place and uniformly compact the aggregate base. The aggregate base should be compacted, for best results, using a vibratory plate compactor, or hand tamper. Spread 25mm bedding sand and level using two 25mm diameter pipes and a straight edge (such as a 50x100mm).

Keep in mind that the 25mm bedding sand will be reduced to 15mm once the wall blocks will be set into the bedding sand with a mallet.

2

First Course - 18 x Standard Blocks

Place the first course on the levelling pad and tap into place ensuring blocks are level, front to back and side to side (check with a spirit level). The use of a level and string line is recommended to ensure the first course is laid correctly. Ensure each block should be butted up next to the block next to it with no gaps.

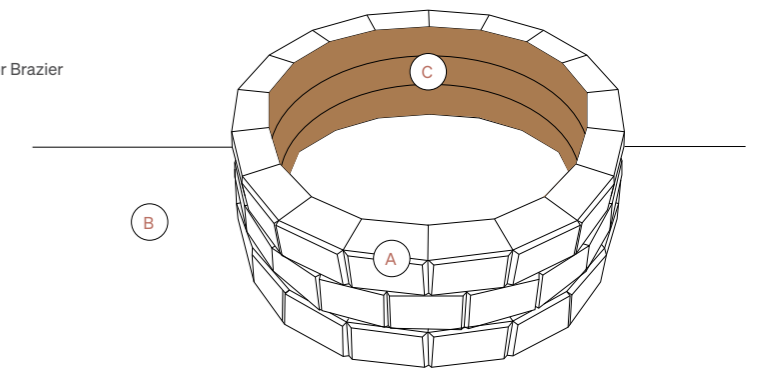


Your tool checklist

- String line
- Tape measure
- Walling units
- Compaction tool
- Shovel
- Spirit level
- Wheelbarrow
- Agriculture drain pipe
- Pegs or stakes
- Broom
- Gloves and eye protection
- Saw (to cut blocks if required)
- 10-20mm crushed stone
- Crushed rock (for base)

Fire pit elements

- A Bribie Blocks
- B Foundation
- C Metal Insert or Brazier

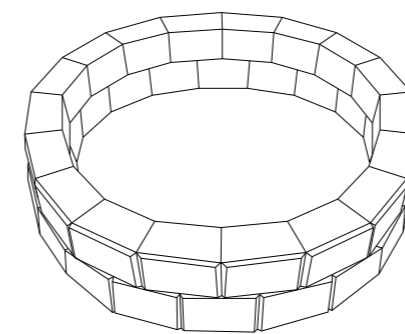


Permits Check with your local council to ensure all local Building Codes are complied with.

3

Second Course - 18 x Standard Blocks

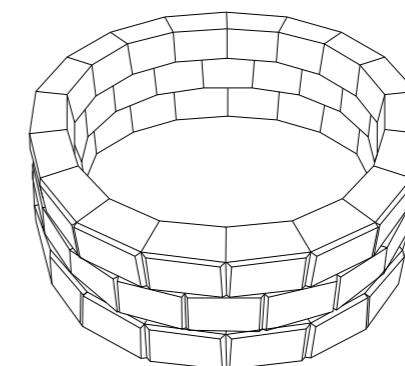
Place the second course on top of the first with a cross bond (each unit above should cross over half of two units below).



4

Third Course - 18 Blocks

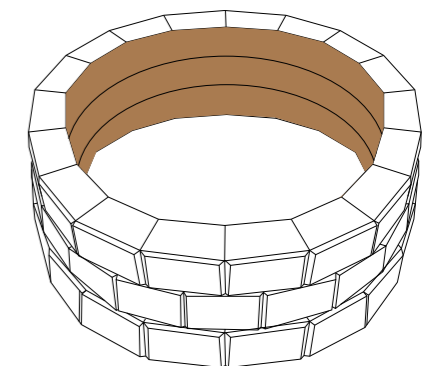
Repeat the same process as the 2nd course. Place the third course on top of the second with a cross bond (each unit above should cross over half of two units below).



5

Add a metal insert or brazier inside the fire pit

Once the outer walls are built you then need to put in a metal insert or brazier that is made from a non combustible material. This insert will contain the fire and insulate the retaining wall blocks from degrading to ensure you have a fire pit that is designed to last.



Operations and Maintenance

Recommendations

- The fire pit is not designed for large fires. Use only a small amount of dry and clean hardwood for burning.
- Allow the fire to burn out on its own unless it is an emergency case. Extinguishing an active fire with water or any other liquid may cause the metal components of the accessory kit to warp and will encourage the formation of rust.
- Do not burn charcoals, leaves, trash, paper, cardboard, and softwoods such as pine, cedar and plywood.
- Do not use lighter fluid, gasoline, or other fire accelerants to start or maintain fires.
- Never touch the steel insert and flange while a fire is lit. The steel insert and flange will become extremely hot and burn the skin on contact. Wear fire resistant gloves when maintaining the fire.
- The fire pit area must always be clear and free from any combustible materials such as gasoline, propane tanks and/or any other flammable vapors and/or liquids.
- Always have a fire extinguisher or garden hose nearby for any potential emergency.
- Avoid using the fire pit in windy conditions.
- At each use, before starting a fire, remove all accumulation of ashes, wood and debris from the fire bowl and inspect the overall fire pit and accessories to ensure that it is in safe operational condition.
- Children and pets should NEVER be left unsupervised when the fire pit is in use. We highly recommend that good fire safety measures are practiced and that you and your guests maintain a minimum distance of 1m away from the fire pit to avoid potential injury.
- Do not sit, lean on or stand on the fire pit wall and never leave an active fire unattended.
- Ensure that the fire pit area is always clear of toys, clothing, etc.
- Do not use the fire pit for cooking purposes.
- It is recommended to replace the clean stone at the bottom of the fire pit annually to maintain proper water filtration.



Need more help?

Visit. australmasonry.com.au

Call. 1300 Masonry

A BRAND OF

BRICKWORKS

