

TECHNICAL & INSTALLATION SHEET

June 2018

*INTERNAL APPLICATION ONLY

PRODUCT



INEX>WALLBOARD was used for the internal feature wall in the kitchen area of this recently renovated SAKE RESTAURANT of The Intercontinental Hotel, Double Bay, Sydney. Designed by architect Melissa Collison, this bespoke venue has a distinctive flair and style.

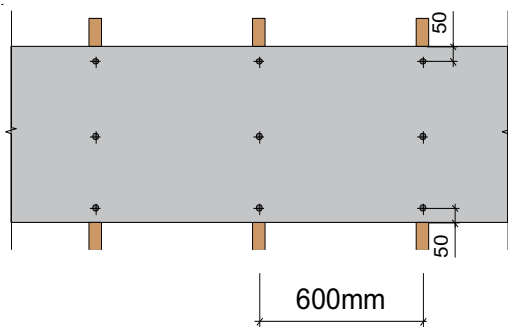
INEX>WALLBOARD is a revolutionary, low carbon, high strength multi-purpose board for both interior and exterior applications.

INEX>WALLBOARD comes with both arised and recessed edges to suit different joint and setting requirements.

INEX>WALLBOARD is currently only available in 12mm thickness.

The smooth side of **INEX>WALLBOARD** provides a superior surface for clear seal paint applications.

SUPPORT



INEX>WALLBOARD can be fixed to timber or steel studs with spacing at maximum 600mm centres. Internal Applications only.

Timber framing must be in accordance with AS 1684 – ‘Residential timber-framed construction’.

Steel framing must be in accordance with AS 3623 – ‘Domestic metal framing’. Ensure framing is plumbed prior to fitting.

ASSEMBLY

We recommend **INEX>WALLBOARD** be PIN or SCREW fixed to wall studs. Alternatively, 3M tape can be used to adhere **INEX>WALLBOARD** directly onto wall studs or substrate, subject to tape manufacturer’s specifications.

FIXINGS

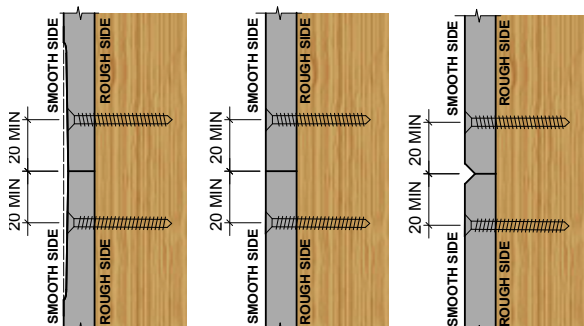
Ensure all fixings are located:

- 20mm minimum from all edges, applicable to all square, arised & recessed edges
- Minimum 2 fixings per studs when laying horizontally
- 600mm centres along studs when laying vertically.
- **FIXINGS – TIMBER STUDS**– Class 3 Galvanised Fixings or higher*
Screws: 10gx50mm self-embedding countersunk head screws.

FIXINGS – STEEL STUDS – Class 3 Galvanised Fixings or higher*
Screws: 8gx40mm self-drilling, self-embedding, countersunk head screws.

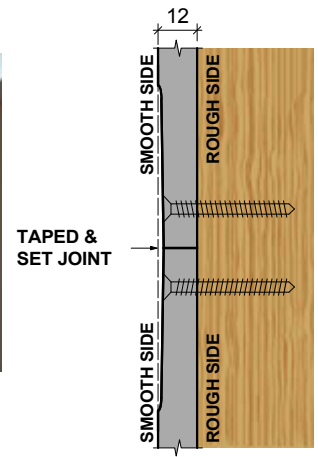
*Class 4 or Stainless Steel screws for sea spray zone in accordance with AS 356

FIXING



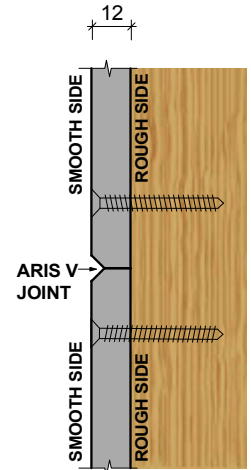
Note: For external wall applications, it must be used as a panel for ‘express wall’ type systems. Most proprietary express wall type façade systems can be adopted with **INEX>WALLBOARD** specified as the panel itself, applying the relevant “Express Wall” type systems installation guides.

PAINT FINISH – TAPED & SET DETAIL



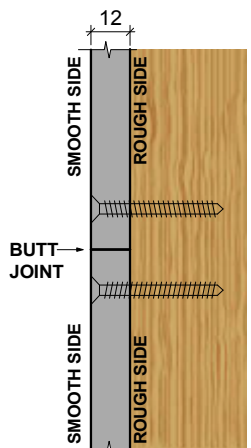
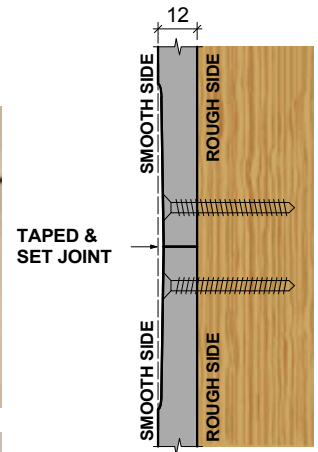
In comparison to traditional plasterboard wall lining, **INEX>WALLBOARD** is a much better product as far as their acoustic performances are concerned. Its hard surface is like a white set plaster finish.

BUTT JOINT DETAIL



Designed by Brian Van Der Plaats Design, **INEX>WALLBOARD** with square butt joint detail was used as the internal wall lining application for this private residence in Coogee, Sydney.

EXPRESSED JOINT DETAIL



INEX>WALLBOARD with expressed joint detail was used as the internal wall lining application for this award-winning Archiblox Carbon Positive Prefabricated Modular House.

IMPORTANT NOTE FOR COATING WARRANTY

1. Common installation errors that will void your warranty include, but are not limited to: failing to properly seal screw holes and incorrect distance between joists. UBIQ does not provide warranty for any recommended coating systems for **INEX>WALLBOARD**.
2. The purchaser must contact the coating suppliers for warranty purposes. The purchaser accepts all risk associated with performance of any coatings applied to **INEX>WALLBOARD**. UBIQ recommends the coatings are tested prior to installation.