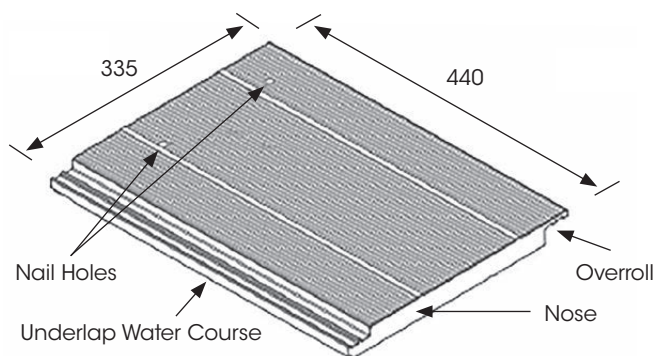


Product Data Sheet

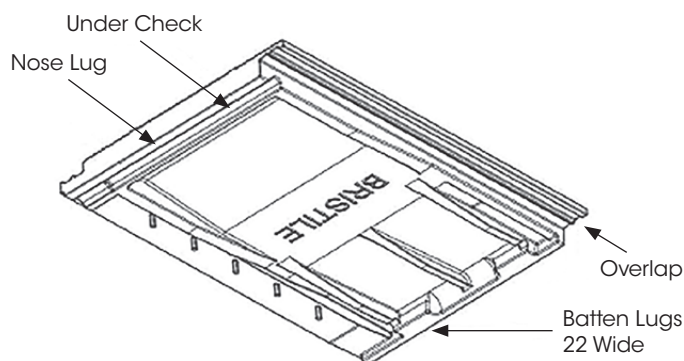
BRICKWORKS

Profile Name: Eton

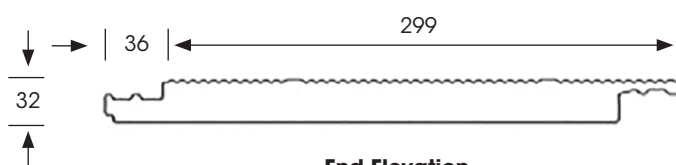
Description: Concrete Roof Tiles | **Manufactured:** VIC & QLD | **Date:** Sept 2020



Top Isometric View



Bottom Isometric View



End Elevation

Typical Properties	Specification
Length (mm)	440mm
Width (mm)	335mm
Height (mm)	32mm
Watercourse Width	36mm
Average Weight / Unit	5.4kg
Units Per Square Metre	9.26
Average Weight Per Square Metre	50.00kg (tiles only)
Minimum Head Lap	75mm
Maximum Head Lap	110mm
Minimum Pitch With Sarking	20°
Minimum Pitch Without Sarking	NA
Bonding Method	Cross Bond

This data represents average results from commercial production stock tested.
 If specific test results are required, samples should be taken from current production lots.
 AUSTRALIAN STANDARD TEST METHODS A.S 2049-2002 and A.S 2050-2018 ARE USED AS APPLICABLE.
 October 2020