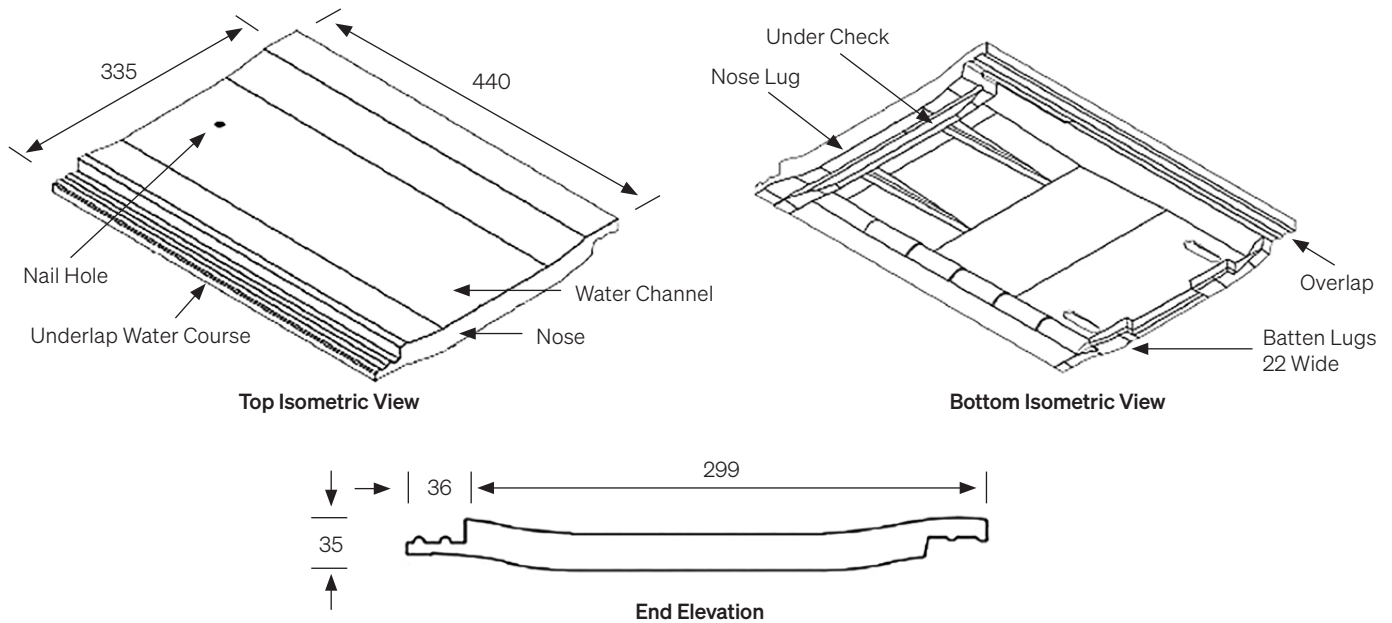


Range Name: Classic

Description: Concrete Roof Tiles | **Manufactured:** VIC & QLD | **Date:** August 2021



Typical Properties	Specification
Length (mm)	440mm
Width (mm)	335mm
Height (mm)	35mm
Watercourse Width	36mm
Average Weight / Unit	5.35kg
Units Per Square Metre	9.26
Average Weight Per Square Metre	49.54kg (tiles only)
Minimum Head Lap	75mm
Maximum Head Lap	110mm
Minimum Pitch With Sarking	15°
Minimum Pitch Without Sarking	20° (QLD 22.5°)
Bonding Method	Straight Bond

This data represents average results from commercial production stock tested.
 If specific test results are required, samples should be taken from current production lots.
 AUSTRALIAN STANDARD TEST METHODS AS2049-2002 and AS 2050 ARE USED AS APPLICABLE.
 August 2021