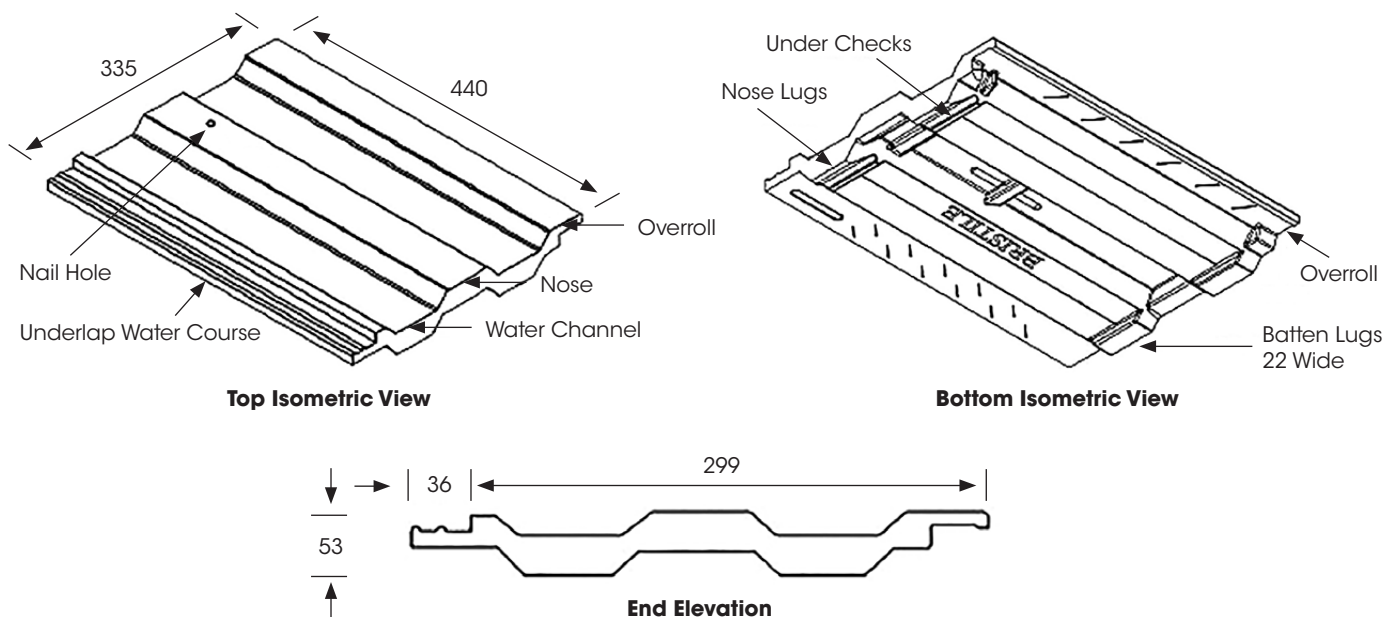


Product Data Sheet

BRICKWORKS

Profile Name: Artisan

Description: Concrete Roof Tiles | **Manufactured:** VIC & QLD | **Date:** Sept 2020



Typical Properties	Specification
Length (mm)	440mm
Width (mm)	335mm
Height (mm)	53mm
Watercourse Width	36mm
Average Weight / Unit	4.96kg
Units Per Square Metre	9.26
Average Weight Per Square Metre	45.93kg (tiles only)
Minimum Head Lap	75mm
Maximum Head Lap	110mm
Minimum Pitch With Sarking	15°
Minimum Pitch Without Sarking	20°
Bonding Method	Straight or Cross Bond

This data represents average results from commercial production stock tested.
 If specific test results are required, samples should be taken from current production lots.
 AUSTRALIAN STANDARD TEST METHODS A.S 2049-2002 and A.S 2050-2018 ARE USED AS APPLICABLE.
 October 2020